

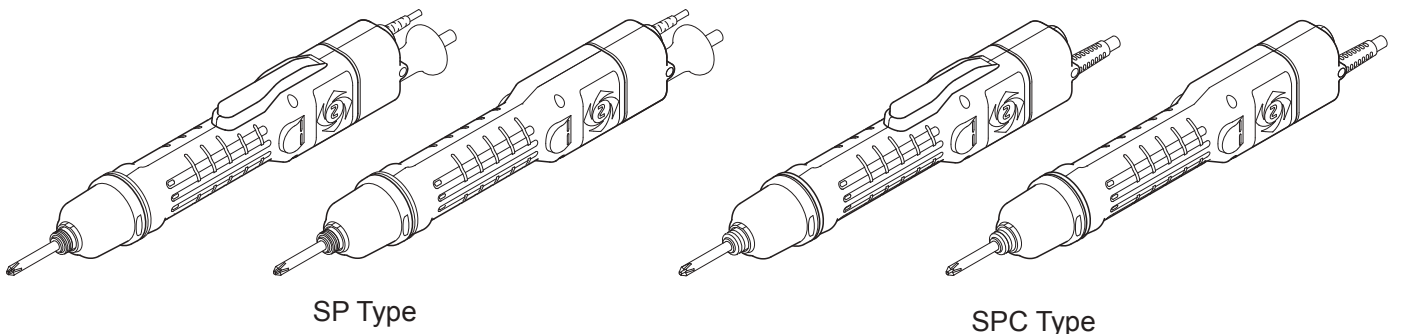
INSTRUCTION MANUAL

Professional tool ELECTRIC SCREWDRIVER

delvo

Model: DLV30A/DLV45A/DLV70A-SP/SPC Series

Product Operational Information



Indoor Use Only

Brushless Motor

Grounded bit function

[Specifications]

Lever Start Model	DLV30A06L-SP DLV30A06L-SPC	DLV30A12L-SP DLV30A12L-SPC	DLV30A20L-SP DLV30A20L-SPC	DLV45A06L-SP DLV45A06L-SPC	DLV45A12L-SP DLV45A12L-SPC	DLV70A06L-SP DLV70A06L-SPC
Push to Start Model	DLV30A06P-SP DLV30A06P-SPC	DLV30A12P-SP DLV30A12P-SPC	DLV30A20P-SP DLV30A20P-SPC	DLV45A06P-SP DLV45A06P-SPC	DLV45A12P-SP DLV45A12P-SPC	DLV70A06P-SP DLV70A06P-SPC
Torque [Nm]	Low torque spring: 0.4 to 1.6			2.0 to 4.5		3.8 to 7.0
	High torque spring: 1.2 to 3.0					
Free Speed [min ⁻¹]	650	1200	2000	650	1200	650

- Please refer to p. 6 for details.

- Please read manual carefully before you attempt to use your tool so that you may use it properly and safely.
- Keep the manual handy - so you can use it whenever necessary.

- Due to continuous product development/improvement the specifications and configurations in this document are subject to change without prior notice.

Manufactured by.

NITTO KOHKI CO., LTD.

9-4, Nakaikagami 2-chome, Ohta-ku, Tokyo, 146-8555, Japan

Tel : +81-3-3755-1111 Fax : +81-3-3753-8791

(Original Instructions)

TV07927-0 02/2018

Thank you very much for your purchase of this **NITTO KOHKI** product.

Before using your tool, please read this manual carefully so that you may use it properly to get the most out of it.

Please keep the manual handy - so you can use it whenever necessary.

Contents

Product Specific Safety Rules	1	6 Basic Operation	13
Identifying Type.....	1	Start	13
1 Application	2	Changeover switch	14
2 Checking Inside the Package.....	2	Start and stop.....	15
Identifying Bits that Can Be Attached.....	3	Screw tightening	16
3 Part Names.....	4	Adjusting the output torque	16
SP type	4	7 Appendix.....	17
SPC type.....	5	Troubleshooting	17
4 Specifications	6	Maintenance and inspection	18
Torque scale and output torque	7	Disposal	19
SP type signal specifications	7	Separately-sold products	20
5 Preparation	10	External dimensions.....	21
Attaching a bit	10		
Attaching the suspension bail	10		
Replacing a torque spring	11		
Attaching the Pistol Grip	12		
Notes on attaching a commercially available fixing jig.....	13		

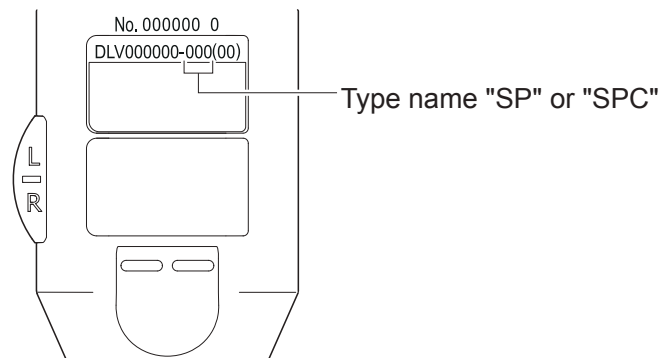
Product Specific Safety Rules

⚠ CAUTION

- **This tool is not an impact type electric screwdriver. Do not tighten twice (extra tightening). Also, it cannot be used for screw tightening of such things as wood or drywall.**
Depending on fastening conditions, screws may become loose.
Improper impacts could decrease product life or cause product failure.
- **Do not use the tool for anything other than screw tightening.**
It should not be used for tasks such as drilling or threading (such as a tapper).

Identifying Type

You can identify the model type based on the alphabet character of the model of electric screwdriver.



1 Application

This is a hand-held electric screwdriver used to tighten screws.

The tool is equipped with an environmentally-friendly brushless motor.

Features differ depending on the model type. For identification of model, see p. 1.

Features of the SP type

This type is a signal output driver with an addition of start signal, torque-up signal, and reverse rotation signal (photo coupler output) that can be available for security against forgetting to tighten screws.

- When the reverse rotation signal is added to the start signal and torque-up signal, this is effective in controlling the number of screws to be tightened and also can be used to reset the count by using this reverse-rotation signal when screw tightening has failed and the screw must be loosened by reverse rotation.
- Each output signal is a photo coupler output that does not require an external power supply and auxiliary circuit. Thus, it can be directly connected to the sequencer, etc. and facilitates signal processing.
- The driver power supply is insulated from the output signals by a photo coupler, ensuring safety.

Features of the SPC type

This tool is only for screw fastening counter DLR5040A-WE and DLR5340-WE. Use it in combination with the screw fastening counter.

For how to use the screw fastening counter, refer to the instruction manual of the screw fastening counter.

2 Checking Inside the Package

When you open the package box, check the content of the package and also check for any damage caused by incidents during transportation.

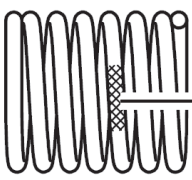
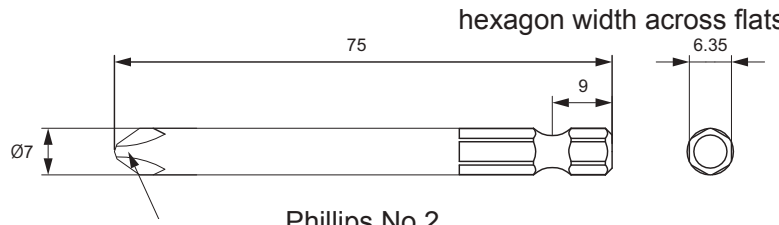
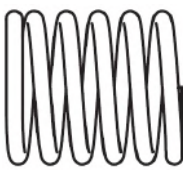
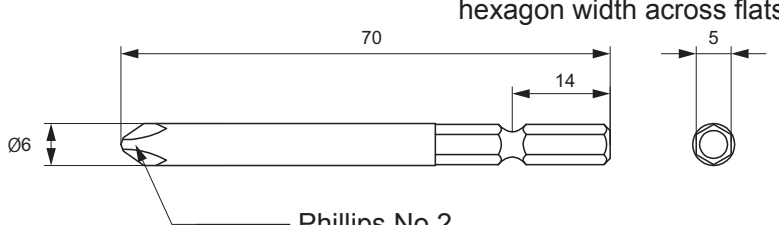
If a problem is found, consult with the store where you purchased the product.

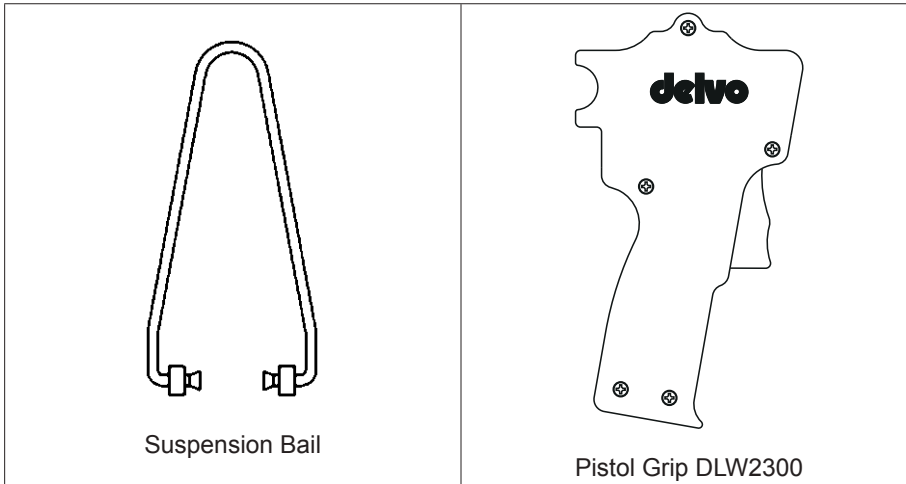
Package content and list of accessories

DLV30A series		DLV45A series / DLV70A series	
Package content and accessories	Quantity	Package content and accessories	Quantity
Electric screwdriver (main unit)	1	Electric screwdriver (main unit)	1
Bit NK35 (No.2×7×75) (HEX 5 mm) *1	1	Bit NK35 (No.2×7×75) (HEX 6.35 mm)	1
Bit NK31 (No.2×6×70) (HEX 6.35 mm) *1		Suspension Bail	1
Low Torque Spring	1	Pistol Grip DLW2300	1
High Torque Spring *2	1	Instruction Manual	4
Suspension Bail	1		
Instruction Manual	4		

*1 Bits differ depending on the model. Please refer to p. 3.

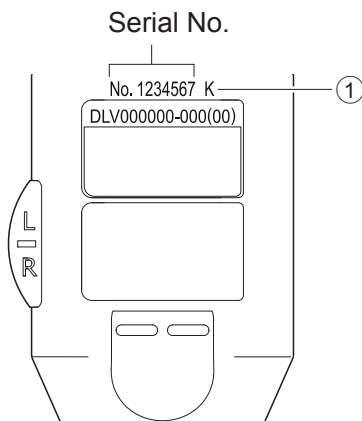
*2 The high torque spring is built inside the main unit at the factory default.

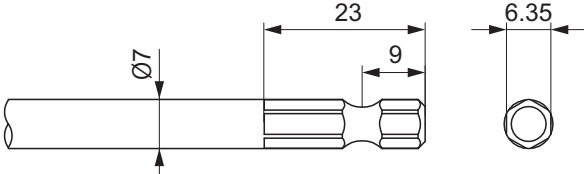
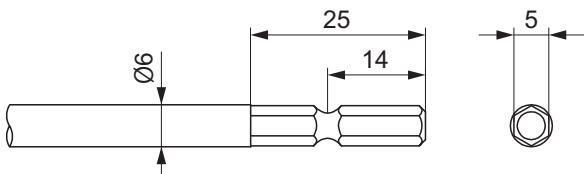
 <p>White paint</p> <p>Low Torque Spring</p>	 <p>hexagon width across flats</p> <p>75</p> <p>6.35</p> <p>9</p> <p>Ø7</p> <p>Phillips No.2</p> <p>Bit NK35 (No.2×7×75)</p>
 <p>High Torque Spring*</p>	 <p>hexagon width across flats</p> <p>70</p> <p>5</p> <p>14</p> <p>Ø6</p> <p>Phillips No.2</p> <p>Bit NK31 (No.2×6×70)</p>



Identifying Bits that Can Be Attached

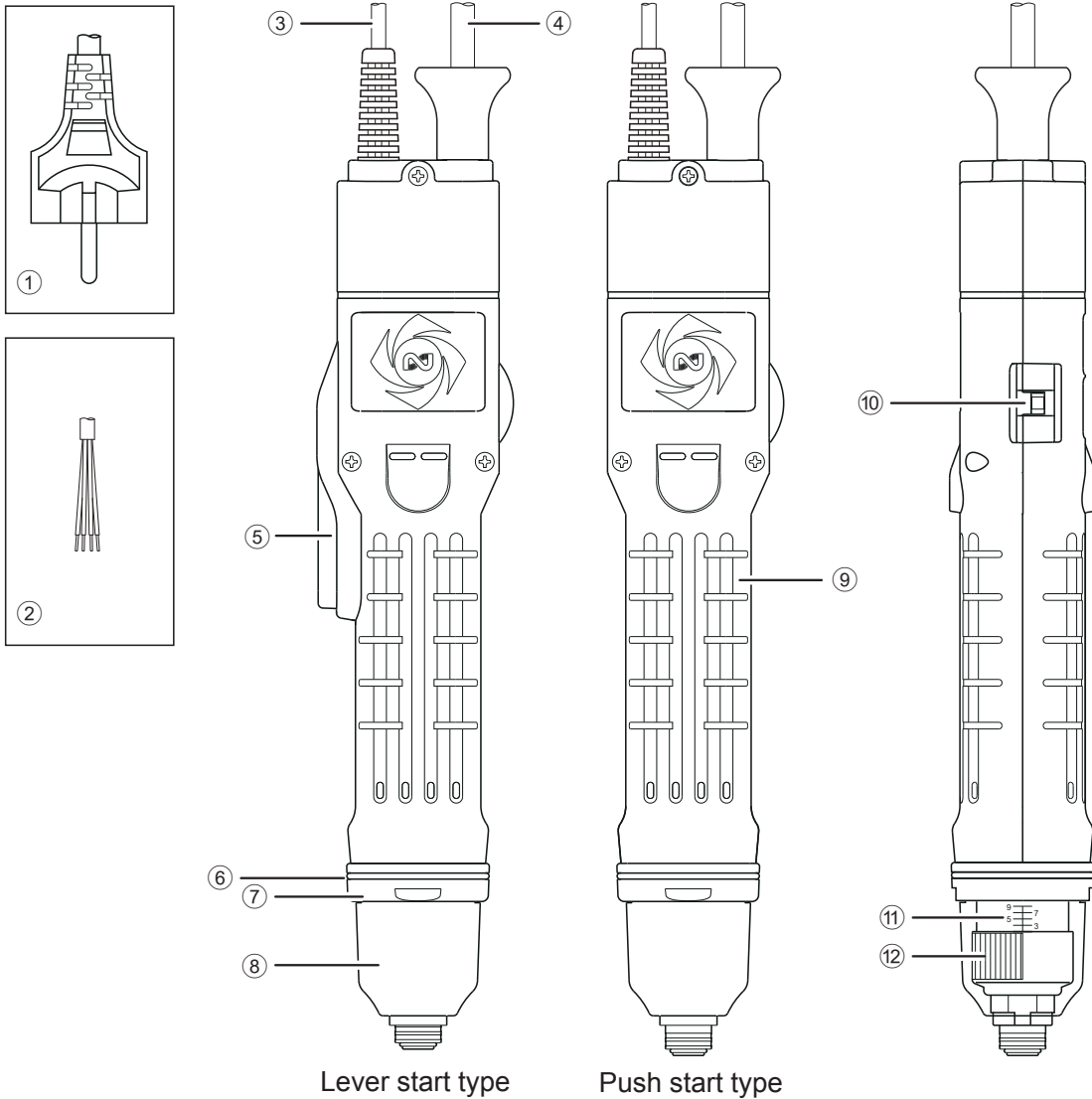
You can identify bits that can be attached based on the alphabet character written to the right of the serial number of the electric screwdriver.



①	Attachable bit shape
K	NK35 (HEX 6.35 mm) 
J	NK31 (HEX 5 mm) 

3 Part Names

SP type



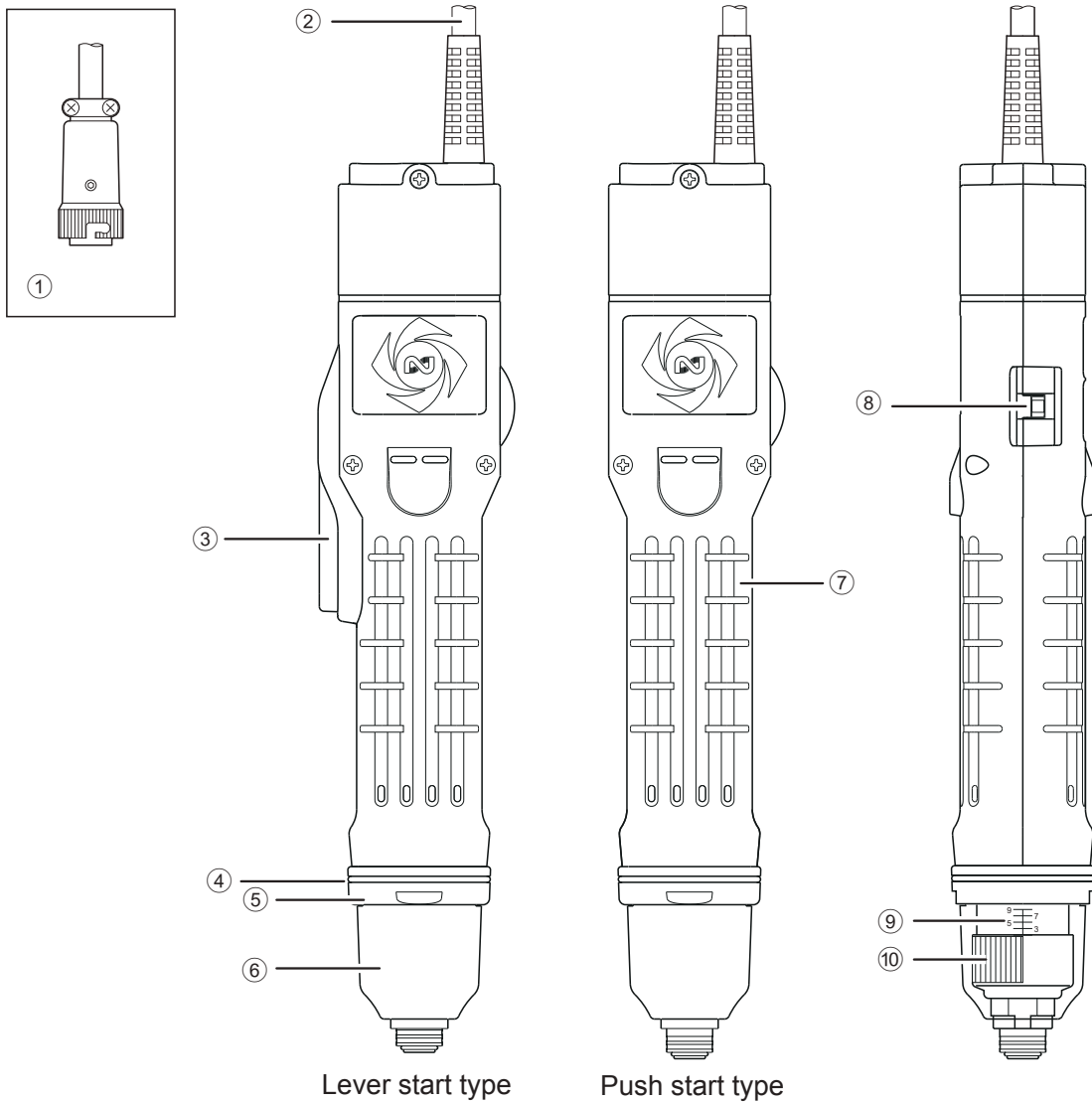
- ① Power plug
- ② Signal cable
- ③ Signal cord
- ④ Power cord
- ⑤ Lever Switch
- ⑥ Rubber Ring (the color varies by model)
- ⑦ Coupling

- ⑧ Torque Adjustment Ring Cover
(the material varies by model)
- ⑨ Frame Handle (exterior resin part of main unit)
- ⑩ Changeover Switch
- ⑪ Torque Scale (standard)
- ⑫ Torque Adjustment Ring

Model		Rubber ring	Torque adjustment ring cover
Lever start type	Push start type		
DLV30A06L-SP(AJ)	DLV30A06P-SP(AJ)	Yellow	Resin/transparent
DLV30A12L-SP(AJ)	DLV30A12P-SP(AJ)	Blue	
DLV30A20L-SP(AJ)	DLV30A20P-SP(AJ)	Red	
DLV45A06L-SP(AJ)	DLV45A06P-SP(AJ)	Aluminum/black	Aluminum/black
DLV45A12L-SP(AJ)	DLV45A12P-SP(AJ)		
DLV70A06L-SP(AJ)	DLV70A06P-SP(AJ)		

- The torque adjustment ring cover prevents unexpected torque setting change. We recommend the cover be attached.

SPC type



- ① Connection plug
- ② Connection cable
- ③ Lever Switch
- ④ Rubber Ring (the color varies by model)
- ⑤ Coupling

- ⑥ Torque Adjustment Ring Cover
(the material varies by model)
- ⑦ Frame Handle (exterior resin part of main unit)
- ⑧ Changeover Switch
- ⑨ Torque Scale (standard)
- ⑩ Torque Adjustment Ring

Model		Rubber ring	Torque adjustment ring cover
Lever start type	Push start type		
DLV30A06L-SPC(AJ)	DLV30A06P-SPC(AJ)	Yellow	Resin/transparent
DLV30A12L-SPC(AJ)	DLV30A12P-SPC(AJ)	Blue	
DLV30A20L-SPC(AJ)	DLV30A20P-SPC(AJ)	Red	
DLV45A06L-SPC(AJ)	DLV45A06P-SPC(AJ)	Aluminum/black	Aluminum/black
DLV45A12L-SPC(AJ)	DLV45A12P-SPC(AJ)		
DLV70A06L-SPC(AJ)	DLV70A06P-SPC(AJ)		

● The torque adjustment ring cover prevents unexpected torque setting change. We recommend the cover be attached.

4 Specifications

⚠ CAUTION

- **The output torque is the value measured in combination with the output torque measurement device.**
When the output torque is measured by some other measuring device or combination, the value may be different.
- **The output torque and torque that occurs in screws do not match.**
Use a torque wrench to check the torque generated on screws.

Model	Lever Start	DLV30A06L-SP(AJ) DLV30A06L-SPC(AJ)	DLV30A12L-SP(AJ) DLV30A12L-SPC(AJ)	DLV30A20L-SP(AJ) DLV30A20L-SPC(AJ)
	Push to Start	DLV30A06P-SP(AJ) DLV30A06P-SPC(AJ)	DLV30A12P-SP(AJ) DLV30A12P-SPC(AJ)	DLV30A20P-SP(AJ) DLV30A20P-SPC(AJ)
Torque (Nm)	Low Torque Spring	0.4 to 1.6		
	High Torque Spring	1.2 to 3.0		
Free speed (for reference) (min ⁻¹)		650	1200	2000
Screw Size (for reference)	Metric Thread (mm)	2.6 to 5.0		
	Tapping Screw (mm)	2.5 to 4.0		
Bit Type		NK35 (HEX 6.35 mm) or NK31 (HEX 5 mm) *1		
Mass (kg)		0.7 (excluding the power cord)		
Power supply		230 V AC 50/60 Hz		
Power Consumption (W)		45		
Duty Cycle		ON time 0.5 sec./OFF time 3.5 sec.		

*1 For details on how to identify between corresponding bits, see p. 3.

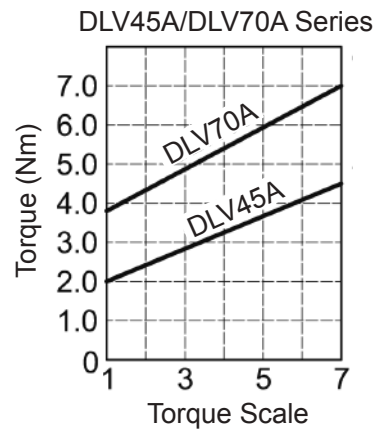
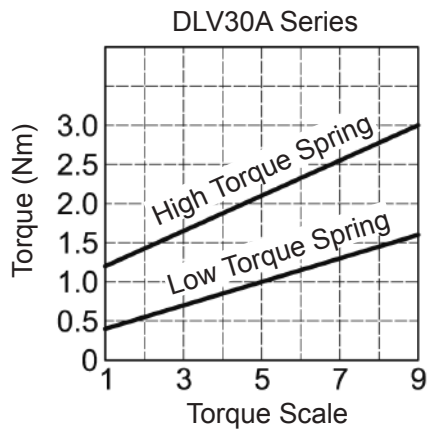
Model	Lever Start	DLV45A06L-SP(AJ) DLV45A06L-SPC(AJ)	DLV45A12L-SP(AJ) DLV45A12L-SPC(AJ)	DLV70A06L-SP(AJ) DLV70A06L-SPC(AJ)
	Push to Start	DLV45A06P-SP(AJ) DLV45A06P-SPC(AJ)	DLV45A12P-SP(AJ) DLV45A12P-SPC(AJ)	DLV70A06P-SP(AJ) DLV70A06P-SPC(AJ)
Torque (Nm)		2.0 to 4.5		3.8 to 7.0
Free speed (for reference) (min ⁻¹)		650	1200	650
Screw Size (for reference)	Metric Thread (mm)	4.5 to 6.0		5.0 to 8.0
	Tapping Screw (mm)	4.0 to 5.0		4.5 to 6.0
Bit Type		NK35 (HEX 6.35 mm)		
Mass (kg)		0.87 (Pistol Grip is included, excluding the power cord)		
Power supply		230 V AC 50/60 Hz		
Power Consumption (W)		45		
Duty Cycle		ON time 0.5 sec./OFF time 3.5 sec.		

Torque Measurement Device			
Electric Screw Driver	DLV30A Series	DLV45A Series	DLV70A Series
Torque Checker	DLT1673A	DLT1673A	DLT1973A
Bit Joint	DLW4360	DLW4360	DLW4000

Torque scale and output torque

⚠ CAUTION

- The torque scale is for reference. The output torque range is not guaranteed. Make sure to measure torque.
- Use the tool within the specified range.
- When the torque decreases, increase the torque based on the measured value.



SP type signal specifications

⚠ WARNING

- Always use the signal output within the output rating. Use of the tool at a voltage or current value above the rating could cause the tool to fail.
- Do not directly connect the relay, motor, lamp, etc. to control. It could cause the tool to fail due to surge, etc. generated from inductive load.

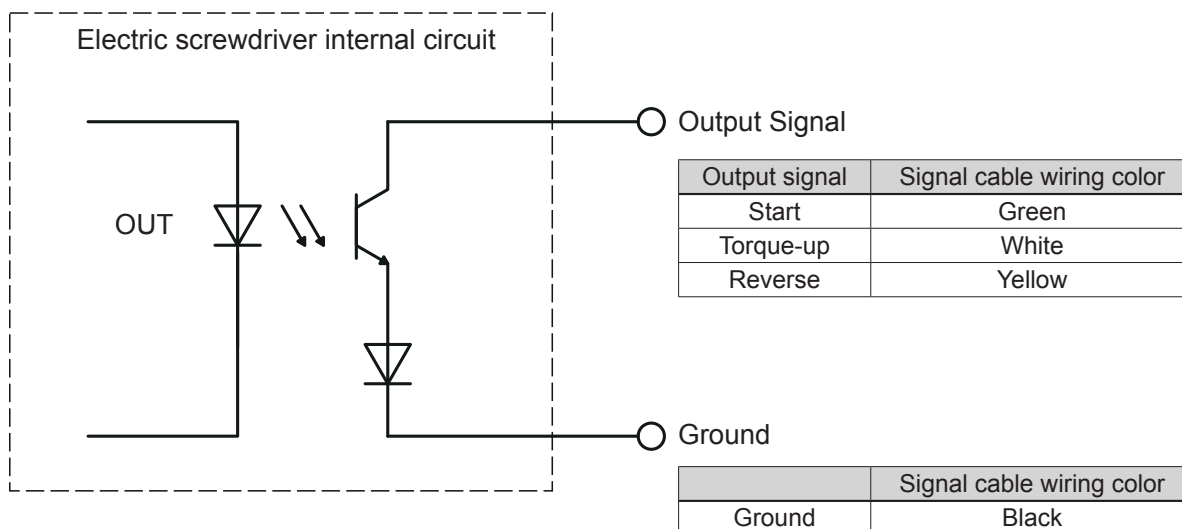
⚠ CAUTION

- The start signal is output even when the start switch is turned ON while the changeover switch of forward and reverse rotation is at the neutral position.
- When torque-up occurs in the reverse rotation, the torque-up signal is also output.

Output signal specification

Signal output	Open collector
Rated voltage	80 V DC or less
Rated current	Maximum 20 mA per output

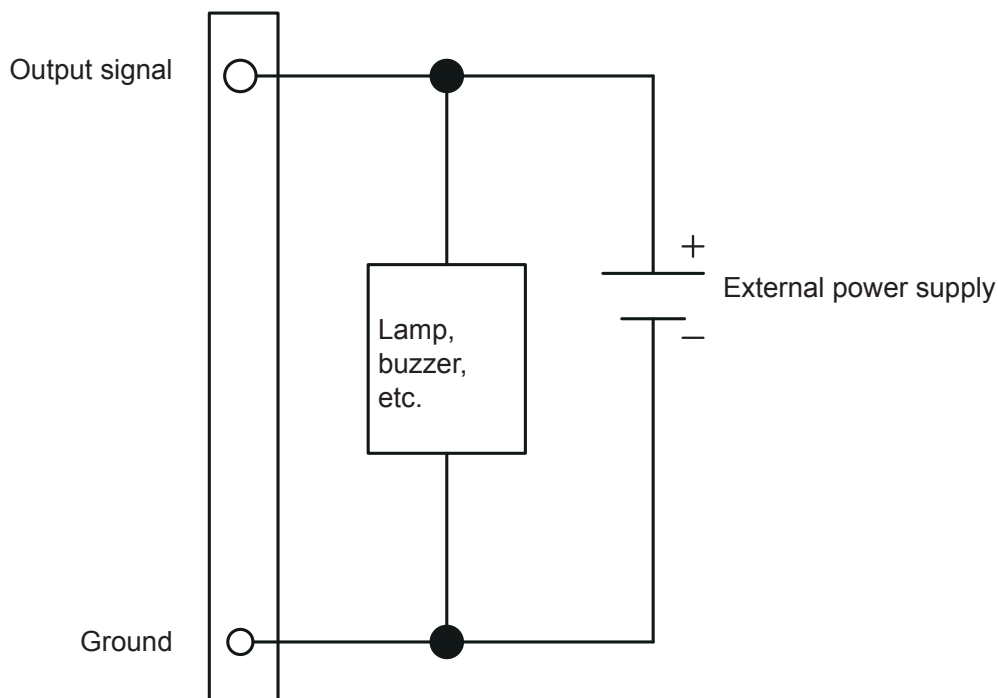
Internal circuit



Example wiring of output signals

⚠ WARNING

- **Do not directly connect the relay, motor, lamp, etc. to control.**
It could cause the tool to fail due to surge, etc. generated from inductive load.
- **Before energizing, make sure that the signal cables are wired correctly in accordance with the instruction manual.**
If the power cable or other signal wires are energized while they are wired incorrectly, it could cause the tool to fail.



Output signal timing chart

⚠ CAUTION

- The start signal is output even when the start switch is turned ON while the changeover switch of forward and reverse rotation is at the neutral position.
- When torque-up occurs in the reverse rotation, the torque-up signal is also output.

	Signal cable wiring color	Signal timing
Start switch	—	
Start	Green	
Torque-up	White	
Reverse	Yellow	

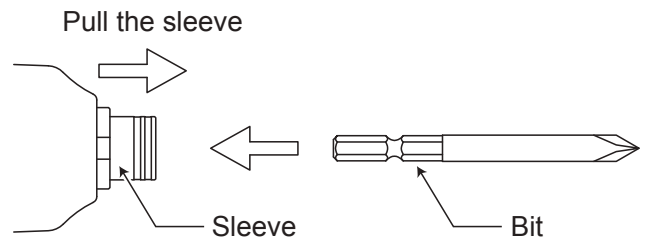
5 Preparation

Attaching a bit

⚠ WARNING

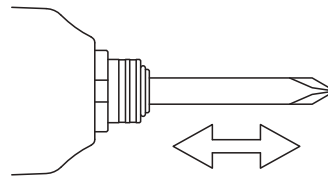
- Before attaching or detaching a bit, always turn OFF the power.

1 Insert a bit while pulling the sleeve



2 Release the sleeve and make sure the bit does not come off

To remove the bit, pull out the bit while pulling the sleeve.

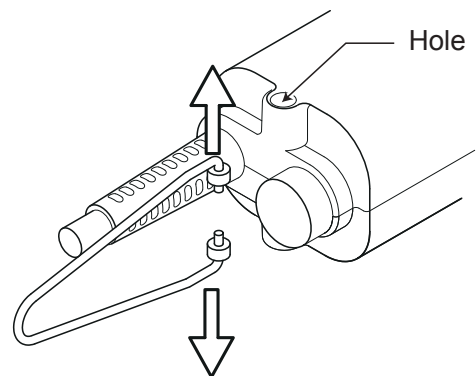


Attaching the suspension bail

⚠ CAUTION

- If the suspension bail is pulled forcefully, it may not return to original status. Use an appropriate strength necessary for attachment or removal.

1 Lightly pull both sides of the suspension bail and fit it into the hole



Replacing a torque spring

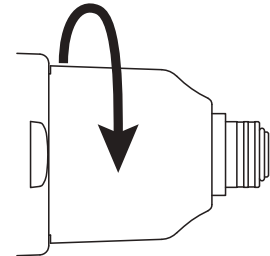
⚠ WARNING

- Before attaching or detaching the torque spring, always turn OFF the power.

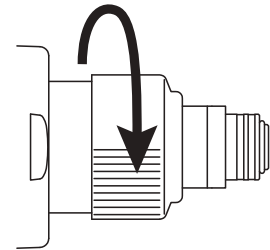
⚠ CAUTION

- **The spring plate assembly must be oriented correctly.**
The ball goes into the recess of the torque adjustment ring. When it is attached in the opposite orientation, the torque adjustment ring easily gets loose. Also, when the torque adjustment ring is turned, there will be no clicking sound.
- **Recommended grease (separately sold)**
Idemitsu Kosan Co., Ltd.: Daphne Eponex SR No. 2
Showa Shell Sekiyu K.K.: Alvania Grease S2
Cosmo Oil Co., Ltd.: DYNAMAX No. 2

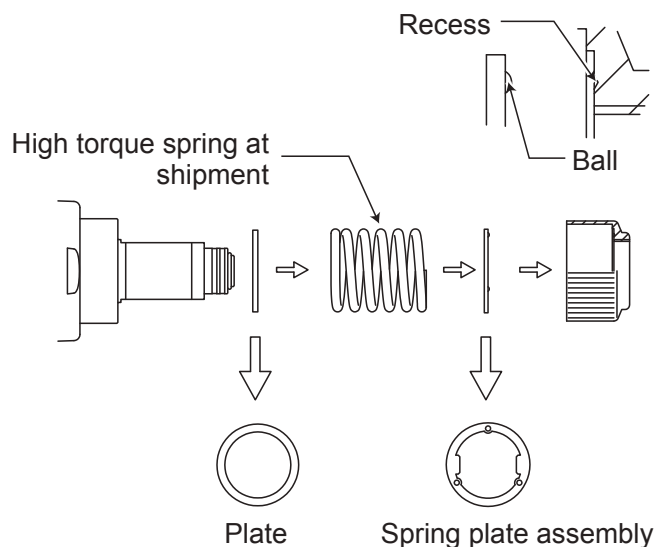
- 1 Turn the torque adjustment ring cover counterclockwise to remove



- 2 Turn the torque adjustment ring counterclockwise to remove



- 3 Remove the spring plate assembly
→ torque spring → plate, in that order



- 4 Apply grease to the torque spring

- 5 Replace the torque spring

To reattach, perform the order in reverse.

Attaching the Pistol Grip

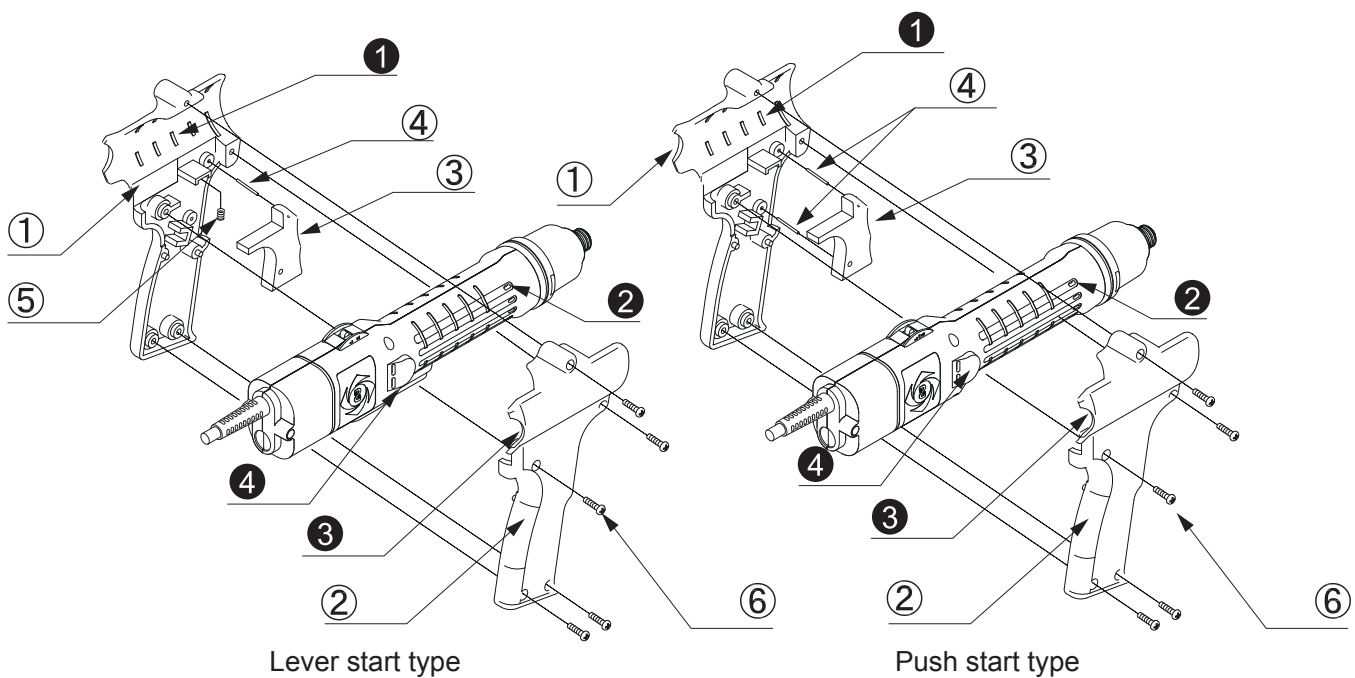
⚠ WARNING

- Before attaching or detaching the Pistol Grip, always turn OFF the power.
- After fixing the Pistol Grip with the screw, check for looseness, slip, and displacement of the screw.

⚠ CAUTION

- Use care not to lose parts.

- 1 Match the rib of the Pistol Grip body A and the groove of the frame handle**
Match the semicircle cut-out of the Pistol Grip body A and the semicircle rib of the frame handle.
- 2 Attach the parts to the positions shown in the following figure**
- 3 Match the rib of the Pistol Grip body B and the groove of the frame handle**
Match the semicircle cut-out of the Pistol Grip body B and the semicircle rib of the frame handle.
- 4 Tighten the screws**

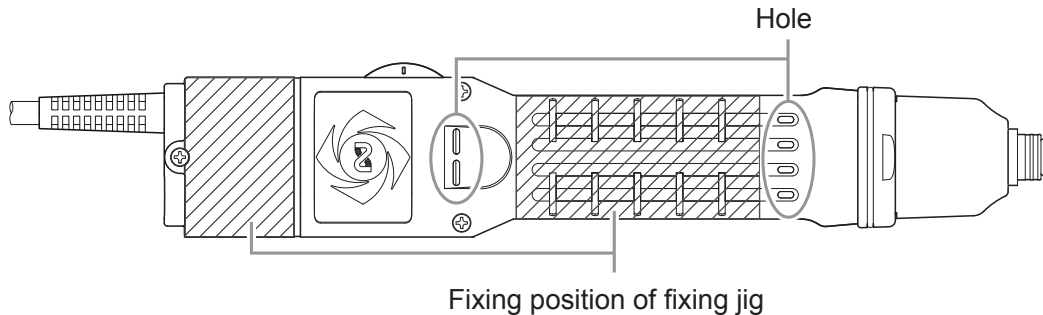


- ① Body A..... 1 piece
- ② Body B 1 piece
- ③ Trigger..... 1 piece
- ④ Pin..... 1 piece (2 pieces for push start type)
- ⑤ Spring..... 1 piece (lever start type only)
- ⑥ Screw 5 pieces
- ① Rib
- ② Groove
- ③ Semicircle cut-out
- ④ Semicircle rib

Notes on attaching a commercially available fixing jig

⚠ CAUTION

- Do not block the hole on the frame handle, as doing so could cause a failure due to heating.



6 Basic Operation

Start

⚠ WARNING

- **Always make sure the tool is grounded.**
No grounding the tool could cause failure or electric shock at the time of electrical leakage.
If you are not sure about the grounding of the outlet, request an electrical contractor to check if it is grounded.
When an extension cord is used, use a 3-core cord that includes a ground wire.

SP type

⚠ WARNING

- **Before energizing, make sure that the signal cables are wired correctly in accordance with the instruction manual.**
If the power cable or other signal wires are energized while they are wired incorrectly, it could cause the tool to fail.

- 1 Wire signal cables**
Refer to "Example wiring of output signals" (p. 8).
- 2 Insert the power plug into an outlet (230 V AC)**

SPC type

⚠ WARNING

- Before using the electric screwdriver, lock the connector securely for a connection between the electric screwdriver and the screw fastening counter.
- Since there is a danger of malfunction or electric shock, connect the electric screwdriver to the power supply with the screw fastening counter turned OFF.
- For the power supply for the screw fastening counter, use the same voltage as the rated voltage of the electric screwdriver being used.
The voltage supplied from the electric screwdriver to the screw fastening counter will be the same value as the power supply voltage of the screw fastening counter.

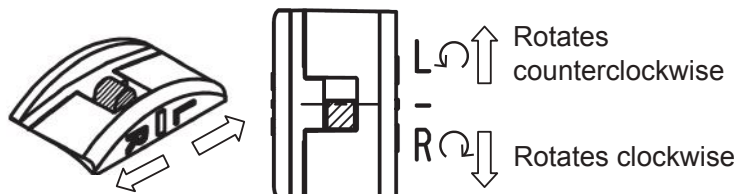
- 1 Confirm that the power supply of the screw fastening counter is OFF and connect the connection cord to the screw fastening counter
- 2 Turn ON the power of the screw fastening counter

Changeover switch

⚠ CAUTION

- Do not operate the changeover switch while the tool is rotating. Doing so could cause a failure.
- When the tool is not used, set the switch to neutral position.
- Do not apply a shock (such as dropping) or excessive load to the changeover switch. Doing so could cause a failure.

By sliding the changeover switch, you can change the rotation direction of the electric screwdriver.
“-” means neutral. The electric screwdriver does not rotate.



Start and stop

⚠ WARNING

- Never touch the bit while it is rotating.
- Do not direct the bit toward people or animals.

⚠ CAUTION

- Make sure to properly press the start switch.
- With the SP type, if the start switch of the electric screwdriver is turned OFF immediately before torque-up, the torque-up signal will not be output even if torque-up occurs. With the SPC type, screw count will not be counted even if torque-up occurs.

Be sure to turn ON the start switch until the electric screwdriver automatically stops.

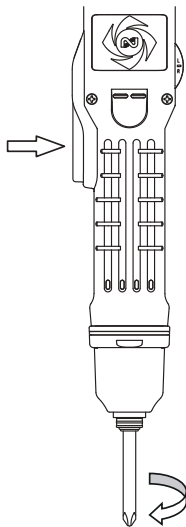
Slide the changeover switch to the direction in which you want the tool to rotate and press the start switch to start. Releasing the start switch stops rotation.

Lever start type

When you press the lever switch, the bit rotates.

Releasing the lever switch stops rotation.

For the lever start type, the lever switch work as the start switch.

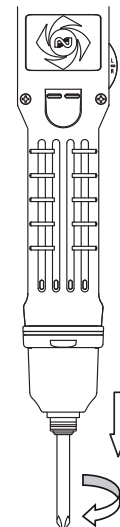


Push start type

The bit rotates when the electric screwdriver is pushed in the bit direction.

Releasing it stops rotation.

The push start type has a start switch inside the electric screwdriver.



Screw tightening

⚠ WARNING

- Firmly hold the main body to avoid losing your grip.

⚠ CAUTION

- Properly apply the bit end to the screw head.
- Check that the bit is not worn.

- 1 Slide the changeover switch to the "R" side
- 2 Apply the bit end to the screw head and press the start switch
- 3 When the electric driver stops, release the start switch

Adjusting the output torque

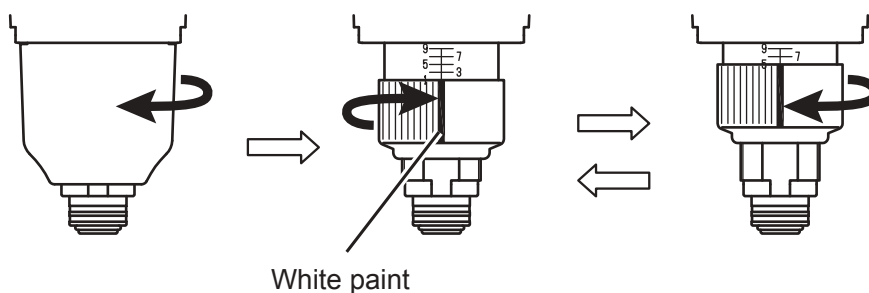
⚠ WARNING

- Before adjusting the output torque, always turn OFF the power.

⚠ CAUTION

- The torque scale is a standard. The output torque range is not guaranteed.

- 1 Turn the torque adjustment ring cover counterclockwise to remove it
- 2 To increase the output torque, turn the torque adjustment ring clockwise
To decrease the output torque, turn the torque adjustment ring counterclockwise



7 Appendix

Troubleshooting

Symptoms	Location to investigate	Solution
The electric screwdriver does not operate	Is the connection plug inserted into the screw fastening counter? Is power supplied to the screw fastening counter?	Properly insert the connection plug into the outlet. Check the power supply.
	Is the power plug inserted into an outlet? Is power supplied to the outlet?	Properly insert the power plug into the outlet. Check the power supply.
	Is the changeover switch set to neutral?	Slide the changeover switch to the R or L side.
The output torque is low Screws cannot be tightened	Are you using a combination of NITTO KOHKI measuring devices for measurement?	Use a combination of NITTO KOHKI's measuring devices for measurement. (p. 6)
	Are you turning the torque adjustment ring clockwise? Has the output torque dropped?	The output torque decreases as the tool is used. Turn the torque adjustment ring clockwise. (p. 16)
	Did you check the correlation between the output torque occurred on screws and the output torque measured using a measurement device?	The output torque occurred on screws and the output torque measured by the measurement device are different. Adjust the output torque according to the screw fastening conditions. (p. 6)
	Is the bit worn out?	When the bit is worn out, it becomes difficult to transmit torque to screws. Replace the bit. (p. 10)
	Are you tightening while crushing a part between the screws. Has regression loosening occurred?	Torque may not be transmitted. Crush the part once and then tighten the screw.
	Has axial force occurred to the screw?	Without axial force, even though the output torque is increased, screws are not tightened. Review the screw fastening conditions. Also, by tightening at low speed, it becomes easier to transmit torque.
	Has initial loosening occurred?	Initial loosening occurs as a result of permanent set in fatigue when fine irregularities such as surface roughness are lost over time after the screw is tightened or outside force is applied. Tighten the screw again.
	Has the permanent set in fatigue occurred due to permanent deformation of sealing material such as the gasket?	Carefully check the screw fastening conditions and set the output torque. Depending on the material, torque may not be transmitted.
	Is the area surrounding the screw at a high temperature?	Screws could be extended or loosened by temperature changes. Review the screw fastening conditions and process.
	Have you considered the occurrence of vibration or outside force?	Loosening of screw occurs if no measures are taken for vibration or outside force. Take appropriate loosening prevention measures.
The output torque is high Screws are tightened too much	Did you check the correlation between the output torque occurred on screws and the output torque measured using a measurement device?	The output torque occurred on screws and the output torque measured by the measurement device are different. Adjust the output torque according to the screw fastening conditions. (p. 6)
	Have you attached a heavy jig or a jig having a large radius at the end?	After the torque reaches the set torque, the inertial force of the jig might have been transmitted to screws. Review the jig and reduce the weight or size of the jig.
The torque scale and output torque do not match	The torque scale is a standard. The output torque range is not guaranteed. The output torque range sometimes differs from the scale but this is not a product error. (p. 7)	

Symptoms	Location to investigate	Solution
The electric screwdriver gets hot	Is the ON time of the electric screwdriver too long? Alternatively, is the OFF time too short?	Review the operation time. The rated operating time is 0.5 sec. ON and 3.5 sec. OFF. Aim at 15 screws per minute. (p. 6)
	Is the rated voltage input?	Check the power source voltage, and input the rated voltage.
	Even though the output torque is set to the specification lower limit value, does the screwdriver get hot to a level where you cannot touch it?	When the output torque becomes higher, the electric screwdriver becomes hot. If it gets hot to a level where you cannot touch even with the specification lower limit value, a failure is suspected.
The rotation speed is not stabilized.	Is the electric screwdriver heating up? Is it the same electric screwdriver?	The specification value of the rotation speed is a standard. The rotation speed could change due to temperature or mechanical loss of the main unit or grease conditions. Also, it differs by the unit. (p. 6)

Maintenance and inspection

Store the tool according to the following warnings and cautions.

WARNING

- Before performing maintenance and inspection, always turn off the power.
- Do not disassemble or alter the tool.
- Use genuine parts.

CAUTION

- For repair or part replacement, ask your dealer.
Repair requires special knowledge and skills. If repair is performed at a place other than a specialty store, the tool may not demonstrate its full performance or it could lead to an accident or injury.
- Request repair with the failed status kept intact.
When requesting a repair, do not throw away damaged parts. It could be important information for investigating the failure cause so do not change the status.

For the purpose of making proper use, request the following check and maintenance by an authorized service facility.

Routine inspections and Parts to be replaced	DLV30A series				DLV45A series, DLV70A series			
	Number of Tightening (million)							
	0.5	1.0	1.5	2.0	0.25	0.5	0.75	1.0
Routine inspection								
(1) Operation check	○	○	○	○	○ ^{*1}	○ ^{*1}	○ ^{*1}	○ ^{*1}
(2) Grease-up				○		○ ^{*2}		○ ^{*1}
Parts to be replaced								
(1) Motor assembly				○		○ ^{*2}		○ ^{*1}
(2) Gear				○		○ ^{*2}		○ ^{*1}
(3) Rollers and Balls				○		○ ^{*2}		○ ^{*1}
(4) Bearing				○		○ ^{*2}		○ ^{*1}

*1: DLV45A series, DLV70A series

*2: DLV70A series

Inspection locations	CAUTION
Cable	Failure to perform inspection could result in fire or electric shock. <ul style="list-style-type: none"> ● Check if cables are damaged and if found, stop using the tool. ● Do not store the cord by wrapping it around the main unit. If it is stored with the cable wrapped around the main unit, immediately change the storage method.
Power plug	Failure to perform inspection could result in fire or electric shock. <ul style="list-style-type: none"> ● Check for damage on the power plug. If damaged, stop using it. ● Check if the power plug has dust or metallic material adhering to it. If attached, disconnect the power plug and use a dry cloth to remove it. ● Check that the power plug is properly inserted into the outlet all the way to the base. ● Check for play in the power plug and outlet.
Bit	<ul style="list-style-type: none"> ● Check for wear or damage on the bit end. Using the tool as is, the screw head could be damaged or torque may not be transmitted. Replace with a new bit.
Main unit	<ul style="list-style-type: none"> ● Check for damage, cracks or breaks on the main unit. ● Check the screws on the main unit (including accessory Pistol Grip). If screws are loose, tighten them.
Output torque	<ul style="list-style-type: none"> ● Use a combination of NITTO KOHKI's measuring devices to measure the output torque. ● If the output torque value has decreased, turn the torque adjustment ring to adjust the torque.
Care	<ul style="list-style-type: none"> ● If the main unit is stained, use a cloth soaked in soapy water and wrung out well to wipe off the stain. The tool does not have a waterproof structure and if water enters inside, it could fail. ● Because the main unit uses plastic, the following chemicals cannot be used. Acetone, benzine, thinner, ketone, ether, trichlorethylene and other similar chemicals

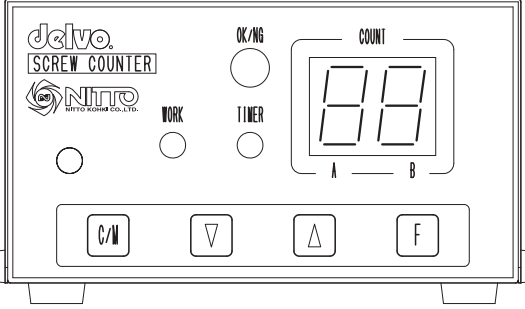
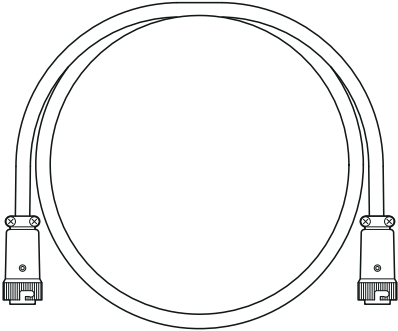
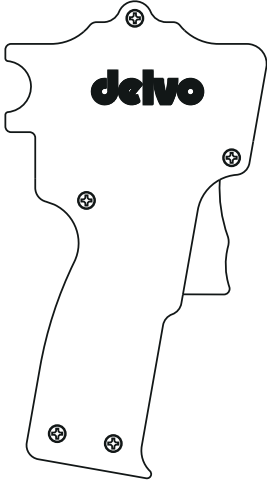
Disposal

- Separate power tools, accessories, and packing materials for environmentally-friendly recycling.
- Do not dispose of the power tool as household garbage.
- When disposing of electric tools, give them to NITTO KOHKI or your dealer.



Separately-sold products

The following products are sold separately. To purchase these items, please contact your dealer where you purchased your electric screwdriver.

Product name (model)	Appearance	Specification, etc.
Screw fastening counter (DLR5040A-WE/ DLR5340-WE)		[Dedicated to SPC type] Counter for prevention of human error and for management of fastening <ul style="list-style-type: none"> ● 100 V AC - 240 V AC
SPC extension cable (3 m)		[Dedicated to SPC type] Cord that extends the connection between the electric screwdriver and the screw fastening counter
Pistol Grip (DLW2300)		Grip used for reaction force measures or transverse tightening <ul style="list-style-type: none"> ● DLV45A/DLV70A series standard accessories ● Can be used for DLV30A series as well

External dimensions

* Differs depending on the model. (Refer to p. 4, p. 5.)

